

Figure 1.

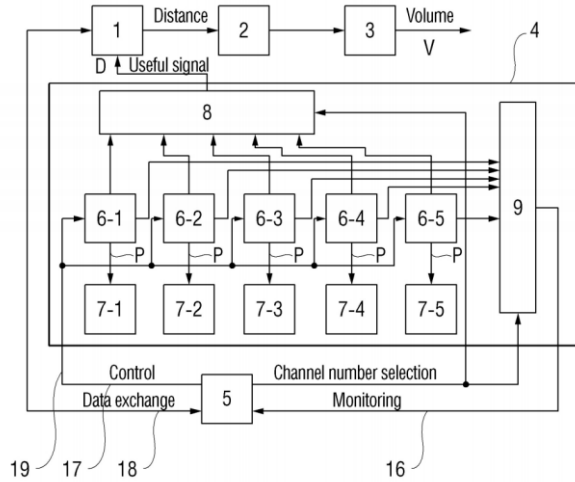


FIG. 1

21: 2019/07495. 22: 2019/11/12. 43: 2020/06/10
 51: G01F
 71: JOINT STOCK COMPANY "LIMACO"
 72: LIBERMAN, Aleksandr Vladimirovich,
 TARNOVSKII, Andrei Valerievich, LICHKOV,
 Gennadii Gennadievich
 33: RU 31: 2017120253 32: 2017-06-08
**54: RADAR LEVEL GAUGE FOR MEASURING
 THE VOLUME OF BULK PRODUCTS IN TANKS**
 00: -

Radar level gauge for measuring the volume of bulk products in tanks comprises a level sensor, a primary antenna, a microwave module, a software module, an interface converter and a control unit, and further comprises at least two supplementary antennas with microwave modules; two switches that are structurally joined with the primary antenna and the microwave module into a multichannel transceiver module (TRM) having a signal output connected to the level sensor, and a monitoring output connected to input of the control unit, a control input and a channel number selection input of the multichannel MRP being connected to respective outputs of the control unit.

21: 2019/08059. 22: 2019/12/04. 43: 2020/05/18
 51: H01M, H02J
 71: GUANGDONG OPPO MOBILE
 TELECOMMUNICATIONS CORP., LTD.
 72: ZHANG, JUN, QU, CHUNYING

54: CHARGING METHOD AND CHARGING APPARATUS

00: -
 Provided are a charging method and a charging apparatus. The charging method includes the following. Perform a multi-stage constant-current charging on a battery, where a constant-current charging cut-off voltage is larger than a standard constant-current charging cut-off voltage. Perform a constant-voltage charging on the battery, where a constant-voltage charging cut-off current is larger than a standard constant-voltage charging cut-off current. By setting a constant-current charging cut-off voltage larger and a constant-voltage charging cut-off current larger and performing a constant-current charging in a manner of multi-stage constant-current, a charging speed of the battery can be increased.