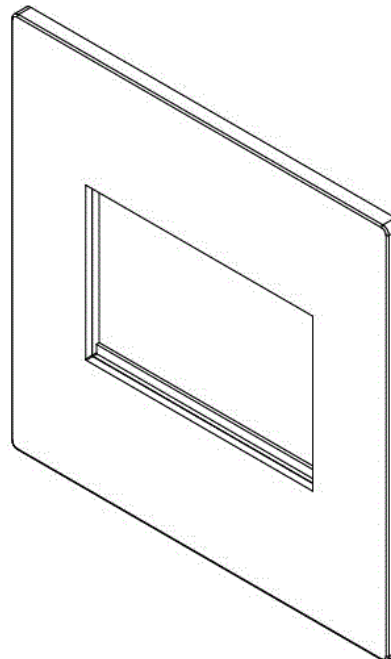


PERSPECTIVE VIEW



Perspective View

21: A2019/01086 22: 2019-08-08 23:  
43: 2019-08-08  
52: Class 13 24: Part A

71: CRABTREE SOUTH AFRICA (PTY) LTD.  
**54: AN ELECTRICAL SWITCH OR SOCKET  
PANEL**

57: The design is for an electrical switch or socket panel. The panel has a flat and square front face with a rearwardly projecting lip provided around a periphery of the front face. An aperture or cut-out is defined centrally in the front face. The aperture is rectangular and orientated upright. The aperture is a little taller than half a height of the front face and a little narrower than half a width of the front face. The aperture has mounting formations to accommodate electrical articles like switches or plugs.

21: A2019/01088 22: 2019-08-08 23:  
43: 2019-08-08  
52: Class 13 24: Part A

71: CRABTREE SOUTH AFRICA (PTY) LTD.  
**54: AN ELECTRICAL SWITCH OR SOCKET  
PANEL**

57: The design is for an electrical switch or socket panel. The panel has a flat and rectangular front face with a rearwardly projecting lip provided around a periphery of the front face. An aperture or cut-out is defined centrally in the front face. The aperture is rectangular and orientated upright. The aperture has mounting formations to accommodate electrical articles like switches or plugs.