

PERSPECTIVE VIEW

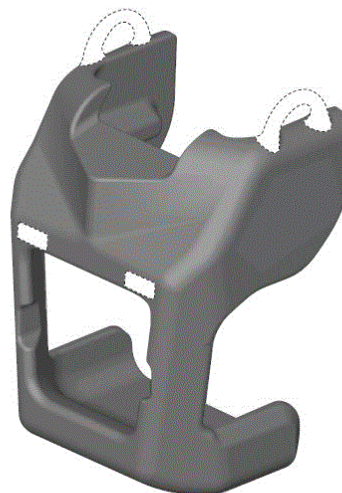


Figure 1

Three-dimensional view

21: A2019/01291 22: 2019-09-06 23:

43: 2019-03-07

52: Class 15 24: Part A

71: Caterpillar Inc.

33: US 31: 29/682,757 32: 2019-03-07

**54: ADAPTER COVERS FOR MACHINE IMPLEMENTS**

57: The features of the design are illustrated in the overall appearance of the design. It is this overall appearance that is particular to the claimed design. This design relates to an adapter cover for machine implements. The adapter cover (or wear member) may be attached to an adapter for a bucket, or other ground engaging machinery, for an excavator or similar machinery.

21: A2019/01297 22: 2019-09-06 23:

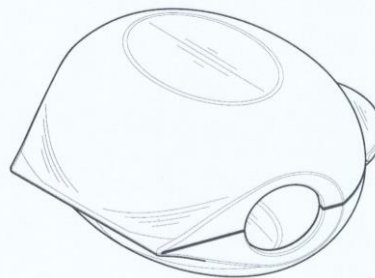
43: 2020-05-22

52: Class 03 24: Part A

71: BONFIT AMERICA, INC

**54: TOOTHBRUSH PROTECTOR**

57: The novelty of the design resides in the shape or configuration of a toothbrush protector substantially as shown in the accompanying representations.



21: A2019/01306 22: 2019-09-10 23:

43: 2020-05-22

52: Class 13 24: Part A

71: DG International Holdings Limited

**54: ADAPTOR**

57: The design is for an adaptor with a round profiled front face in which apertures of a power socket are defined, with a bevelled shoulder above the face and with pins protruding from a rear of the adaptor.