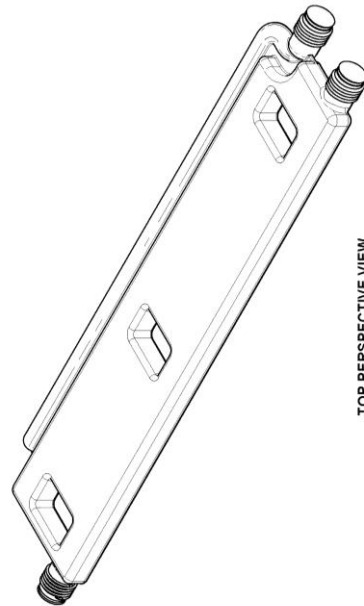


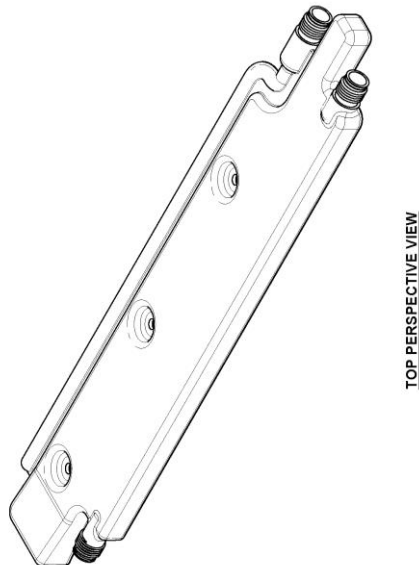
21: A2019/01557 22: 2019-10-22 23:  
43: 2020-06-03  
52: Class 09 24: Part A  
71: MAGNETO IP HOLDINGS (PTY) LTD  
**54: A BOTTLE**

57: The design relates to a BOTTLE. The features of the design for which protection is claimed include the pattern and/or shape and/or configuration and/or ornamentation of the BOTTLE substantially as illustrated in the accompanying representations.



21: A2019/01555 22: 2019-10-22 23:  
43: 2020-06-03  
52: Class 09 24: Part A  
71: MAGNETO IP HOLDINGS (PTY) LTD  
**54: A BOTTLE**

57: The design relates to a BOTTLE. The features of the design for which protection is claimed include the pattern and/or shape and/or configuration and/or ornamentation of the BOTTLE substantially as illustrated in the accompanying representations.



21: A2019/01633 22: 2019-10-31 23:  
43: 2020-05-29  
52: Class 12. 24: Part A  
71: WHEEL PROS, LLC  
33: US 31: 29/701,248 32: 2019-08-09  
**54: Wheel**

57: The design relates to a wheel. The features of the design are those of shape and/or configuration and/or pattern and/or ornamentation.