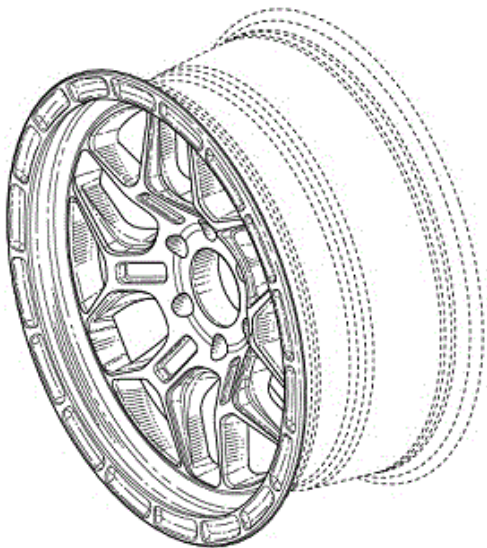


PERSPECTIVE VIEW

21: A2019/01634 22: 2019-10-31 23:  
43: 2020-05-29  
52: Class 12. 24: Part A  
71: WHEEL PROS, LLC  
33: US 31: 29/700,305 32: 2019-08-01

**54: Wheel**  
57: The design relates to a wheel. The features of the design are those of shape and/or configuration and/or pattern and/or ornamentation.



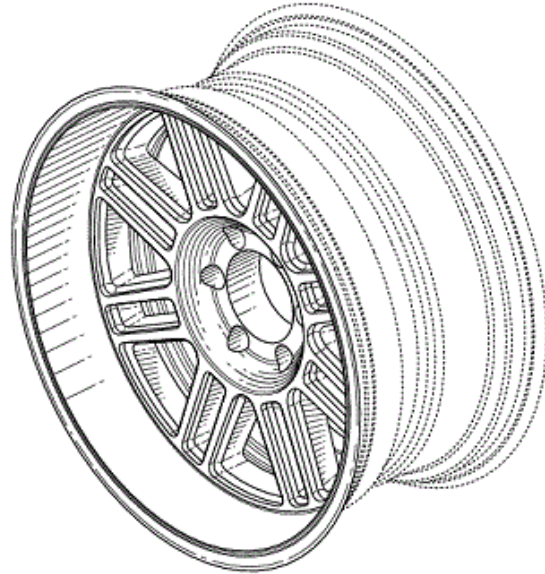
PERSPECTIVE VIEW

21: A2019/01635 22: 2019-10-31 23:  
43: 2020-05-29  
52: Class 12. 24: Part A  
71: WHEEL PROS, LLC

33: US 31: 29/701,247 32: 2019-08-09

**54: Wheel**

57: The design relates to a wheel. The features of the design are those of shape and/or configuration and/or pattern and/or ornamentation.

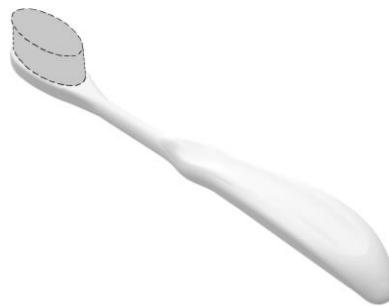


PERSPECTIVE VIEW

21: A2019/01717 22: 2019-11-19 23:  
43: 2020-07-10  
52: Class 04 24: Part A  
71: OBSHCHESTVO S OGRANICHENNOJ  
OTVETSTVENNOST'YU "WDS"  
33: RU 31: 2019502320 32: 2019-06-03

**54: TOOTHBRUSH**

57: The design is applied to a toothbrush. More particularly, the design is applied to a toothbrush body so that any type of bristles may be attachable to the body. The protection claimed relates to the shape and/or configuration and/or pattern of the toothbrush as shown in the representations accompanying the application.



21: F2019/00149 22: 2019-01-29 23:  
43: 2020-03-13