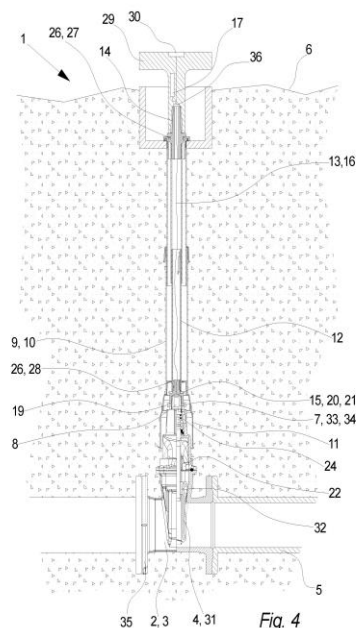


21: 2017/03568 22: 2017/05/24 43: 2018/06/06
 51: E03B; F16K
 71: AVK Holding A/S
 72: FREUDENDAHL, Erling Arnum
54: A VALVE ARRANGEMENT, A METHOD FOR IDENTIFYING AN UNDERGROUND VALVE OF A VALVE ARRANGEMENT AND USE OF A USE OF VALVE ARRANGEMENT

00: -

Disclosed is a valve arrangement (1) for underground control of a fluid flow. The valve arrangement (1) comprises a valve (2) including a valve housing (3) containing fluid control means (4) for controlling a flow of fluid through pipe means (5) arranged below the surface of the ground (6). The fluid control means (4) is actuated by means of mechanical manipulation of an operating device (7) of the valve (2) and the operating device (7) is coupled to the fluid control means (4). The valve (2) further comprises valve identification means (8) including data regarding the specific valve type. The valve arrangement (1) further includes an extension device (9) comprising an extension device housing (10) substantially surrounding an extension rod (12), wherein the extension rod (12) is rotatably supported by the extension device housing (10). The extension rod (12) is mechanically coupled to the operating device (7) to enable the mechanical manipulation being performed at the ground surface (6), wherein the extension device (9) further comprises dedicated connection means (13) extending between a valve end (11) and a ground surface end (14) of the

extension device (9). The valve end (11) is arranged at the valve housing (3) and the ground surface end (14) is arranged at the opposite end of the extension device (9), wherein the dedicated connection means (13) enable that the data regarding the specific valve type may be communicated to the ground surface (6). A method for identifying an underground valve (2) and use of a valve arrangement (1) is also disclosed.



21: 2017/03579 22: 2015/11/12 43: 2018/06/25
 51: A61K; A61P; A61Q; C07C
 71: PROMETIC PHARMA SMT LIMITED
 72: GAGNON, LYNE, LAURIN, PIERRE
 33: US 31: 62/078,704 32: 2014/11/12
54: SUBSTITUTED AROMATIC COMPOUNDS AND PHARMACEUTICAL COMPOSITIONS FOR TISSUE SELF-REPAIR AND REGENERATION

00: -

Described herein are compounds of Formula I, or pharmaceutically acceptable salts thereof, or combinations thereof, as well as uses thereof. Such uses include promoting tissue self-repair or tissue regeneration of an organ, stimulating the generation of tissue growth, modulating (e.g. increasing) the level of a tissue-repair marker, treating physical injury in an organ, tissue, or cell, promoting wound healing as well as anti-aging applications.

Corresponding compositions, methods and uses are