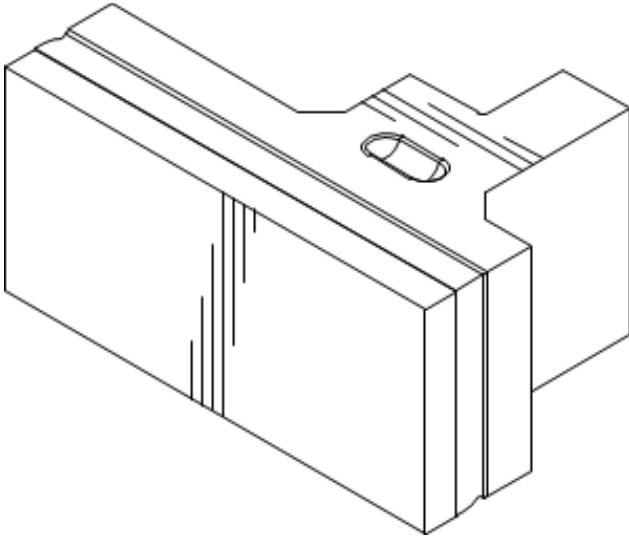


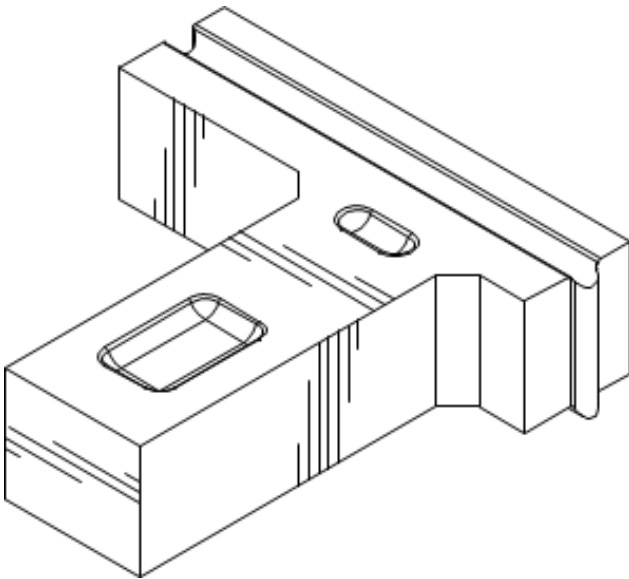
57: The features of the design for which protection is claimed reside in the shape and/or configuration and/or ornamentation of a coke oven wall block component substantially as illustrated in the accompanying drawings.



21: A2017/01970 22: 2017-12-08 23:  
43: 2018-08-02  
52: Class 25 24: Part A  
71: FOSBEL, INC

**54: COKE OVEN WALL BLOCK COMPONENT**

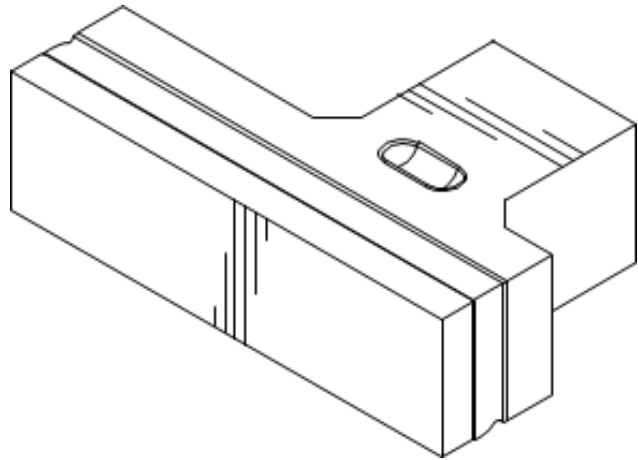
57: The features of the design for which protection is claimed reside in the shape and/or configuration and/or ornamentation of a coke oven wall block component substantially as illustrated in the accompanying drawings.



21: A2017/01972 22: 2017-12-08 23:  
43: 2018-08-02  
52: Class 25 24: Part A  
71: FOSBEL, INC

**54: COKE OVEN WALL BLOCK COMPONENT**

57: The features of the design for which protection is claimed reside in the shape and/or configuration and/or ornamentation of a coke oven wall block component substantially as illustrated in the accompanying drawings



21: A2017/01976 22: 2017-12-12 23:  
43: 2018-08-02  
52: Class 02 24: Part A  
71: LE RAY, Melissa Desiree

**54: INNER SOLES**

57: The design relates to inner soles. The features for which protection is claimed are shape and/or configuration.